

MAXIM

Open-Drain SOT μ P Reset Circuit

MAX6315

General Description

The MAX6315 low-power CMOS microprocessor (μ P) supervisory circuit is designed to monitor power supplies in μ P and digital systems. It provides excellent circuit reliability and low cost by eliminating external components and adjustments. The MAX6315 also provides a debounced manual reset input.

This device performs a single function: it asserts a reset signal whenever the V_{CC} supply voltage falls below a preset threshold or whenever manual reset is asserted. Reset remains asserted for an internally programmed interval (reset timeout period) after V_{CC} has risen above the reset threshold or manual reset is deasserted. The MAX6315's open-drain $\overline{\text{RESET}}$ output can be pulled up to a voltage higher than V_{CC} .

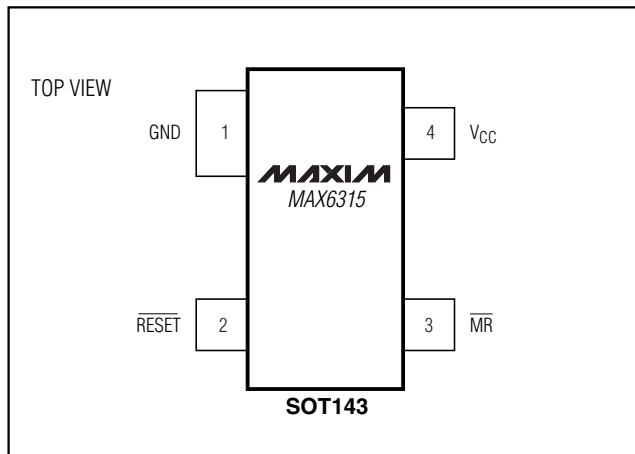
The MAX6315 comes with factory-trimmed reset threshold voltages in 100mV increments from 2.5V to 5V. Preset timeout periods of 1ms, 20ms, 140ms, and 1120ms (min) are also available. The device comes in a SOT143 package.

For microcontrollers (μ Cs) and μ Ps with bidirectional reset pins, see the MAX6314 data sheet.

Applications

- Computers
- Controllers
- Intelligent Instruments
- Critical μ P and μ C Power Monitoring
- Portable/Battery-Powered Equipment

Pin Configuration

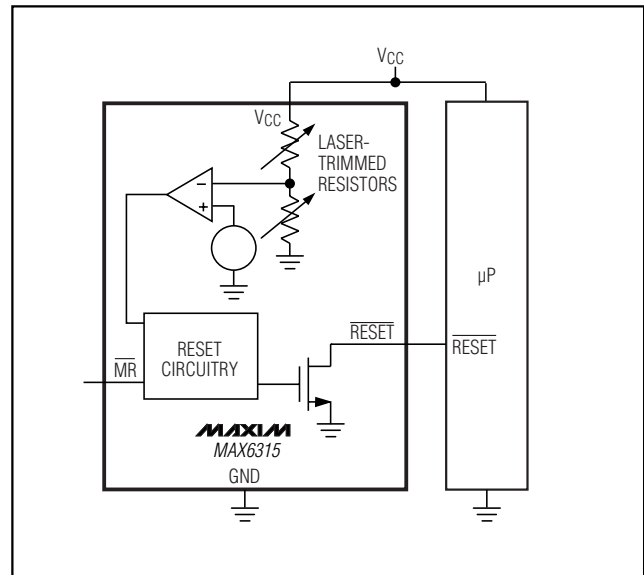


Features

- ◆ Small SOT143 Package
- ◆ Open-Drain $\overline{\text{RESET}}$ Output Can Exceed V_{CC}
- ◆ Precision, Factory-Set V_{CC} Reset Thresholds: 100mV Increments from 2.5V to 5V
- ◆ Four Reset Timeout Periods Available: 1ms, 20ms, 140ms, or 1120ms (minimum)
- ◆ Immune to Short V_{CC} Transients
- ◆ 5 μ A Supply Current
- ◆ Pin-Compatible with MAX811
- ◆ Guaranteed Over Temperature

Ordering and Marking Information appear at end of data sheet.

Typical Operating Circuit



Open-Drain SOT μ P Reset Circuit

ABSOLUTE MAXIMUM RATINGS

V_{CC}	-0.3V to +6.0V	Continuous Power Dissipation ($T_A = +70^\circ\text{C}$)	
RESET.....	-0.3V to +6.0V	SOT143 (derate 4mW/ $^\circ\text{C}$ above +70 $^\circ\text{C}$).....	320mW
All Other Pins.....	-0.3V to ($V_{CC} + 0.3\text{V}$)	Operating Temperature Range	-40 $^\circ\text{C}$ to +125 $^\circ\text{C}$
Input Current (V_{CC}).....	20mA	Storage Temperature Range	-65 $^\circ\text{C}$ to +160 $^\circ\text{C}$
Output Current (RESET).....	20mA	Lead Temperature (soldering, 10s)	+300 $^\circ\text{C}$
Rate of Rise (V_{CC}).....	100V/ μs		

Stresses beyond those listed under "Absolute Maximum Ratings" may cause permanent damage to the device. These are stress ratings only, and functional operation of the device at these or any other conditions beyond those indicated in the operational sections of the specifications is not implied. Exposure to absolute maximum rating conditions for extended periods may affect device reliability.

ELECTRICAL CHARACTERISTICS

($V_{CC} = +2.5\text{V}$ to +5.5V, $T_A = -40^\circ\text{C}$ to +125 $^\circ\text{C}$, unless otherwise noted. Typical values are at $T_A = +25^\circ\text{C}$.)

PARAMETER	SYMBOL	CONDITIONS	MIN	TYP	MAX	UNITS
Operating Voltage Range	V_{CC}	$T_A = -40^\circ\text{C}$ to +85 $^\circ\text{C}$	1.0		5.5	V
V_{CC} Supply Current	I_{CC}	$V_{CC} = 5.5\text{V}$, no load (-40 $^\circ\text{C}$ to +85 $^\circ\text{C}$)		5	12	μA
		$V_{CC} = 5.5\text{V}$, no load (-40 $^\circ\text{C}$ to +125 $^\circ\text{C}$)			15	
		$V_{CC} = 3.6\text{V}$, no load (-40 $^\circ\text{C}$ to +85 $^\circ\text{C}$)		4	10	
		$V_{CC} = 3.6\text{V}$, no load (-40 $^\circ\text{C}$ to +125 $^\circ\text{C}$)			12	
Reset Threshold (Note 1)	V_{TH}	$T_A = +25^\circ\text{C}$	$V_{TH} - 1.8\%$	V_{TH}	$V_{TH} + 1.8\%$	V
		$T_A = -40^\circ\text{C}$ to +85 $^\circ\text{C}$	$V_{TH} - 2.5\%$		$V_{TH} + 2.5\%$	
		$T_A = -40^\circ\text{C}$ to +125 $^\circ\text{C}$	$V_{TH} - 3.5\%$		$V_{TH} + 3.5\%$	
Reset Threshold Tempco	$\Delta V_{TH}/^\circ\text{C}$			60		ppm/ $^\circ\text{C}$
V_{CC} to Reset Delay		V_{CC} = falling at 1mV/ μs		35		μs
Reset Timeout Period	t_{RP}	MAX6315US_ _D1-T (-40 $^\circ\text{C}$ to +85 $^\circ\text{C}$)	1	1.4	2	ms
		MAX6315US_ _D1-T (-40 $^\circ\text{C}$ to +125 $^\circ\text{C}$)	0.8		2.4	
		MAX6315US_ _D2-T (-40 $^\circ\text{C}$ to +85 $^\circ\text{C}$)	20	28	40	
		MAX6315US_ _D2-T (-40 $^\circ\text{C}$ to +125 $^\circ\text{C}$)	16		48	
		MAX6315US_ _D3-T (-40 $^\circ\text{C}$ to +85 $^\circ\text{C}$)	140	200	280	
		MAX6315US_ _D3-T (-40 $^\circ\text{C}$ to +125 $^\circ\text{C}$)	112		336	
		MAX6315US_ _D4-T (-40 $^\circ\text{C}$ to +85 $^\circ\text{C}$)	1120	1570	2240	
MAX6315US_ _D4-T (-40 $^\circ\text{C}$ to +125 $^\circ\text{C}$)	896		2688			
MANUAL RESET INPUT						
$\overline{\text{MR}}$ Input Threshold	V_{IL}	$V_{TH} > 4.0\text{V}$	0.8		V	
	V_{IH}		2.4			
	V_{IL}	$V_{TH} < 4.0\text{V}$	0.3 x V_{CC}			
	V_{IH}		0.7 x V_{CC}			
$\overline{\text{MR}}$ Minimum Input Pulse			1		μs	
$\overline{\text{MR}}$ Glitch Rejection				100	ns	
$\overline{\text{MR}}$ to Reset Delay				500	ns	
$\overline{\text{MR}}$ Pull-Up Resistance			32	63	100	k Ω
$\overline{\text{RESET}}$ Output Voltage	V_{OL}	$V_{CC} > 4.25\text{V}$, $I_{SINK} = 3.2\text{mA}$			0.4	V
		$V_{CC} > 2.5\text{V}$, $I_{SINK} = 1.2\text{mA}$			0.3	
		$V_{CC} > 1.2\text{V}$, $I_{SINK} = 0.5\text{mA}$				
		$V_{CC} > 1.0\text{V}$, $I_{SINK} = 80\mu\text{A}$			0.3	
$\overline{\text{RESET}}$ Output Leakage Current		$V_{CC} > V_{TH}$, $\overline{\text{RESET}}$ deasserted			1	μA

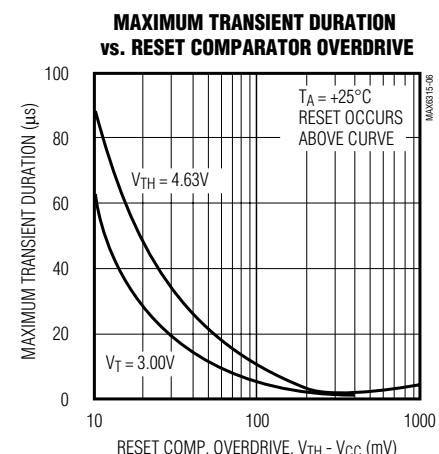
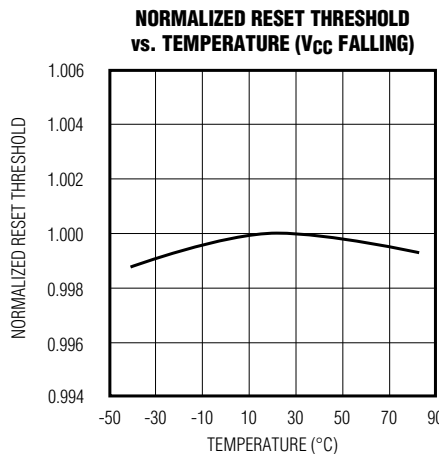
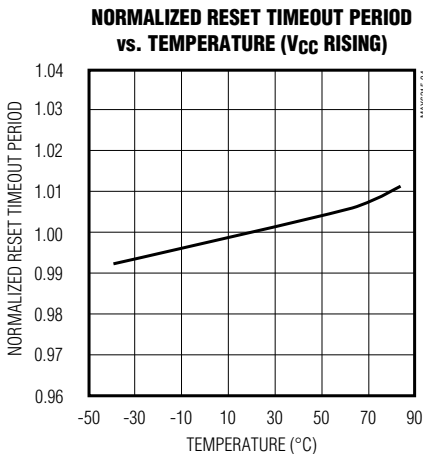
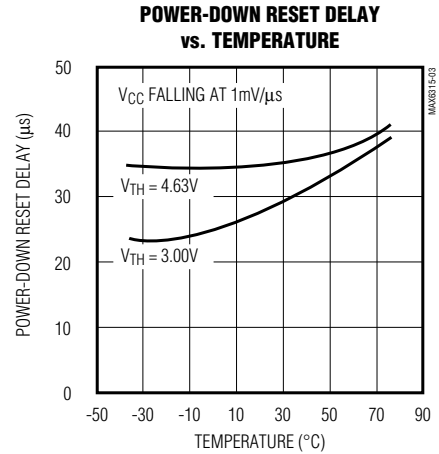
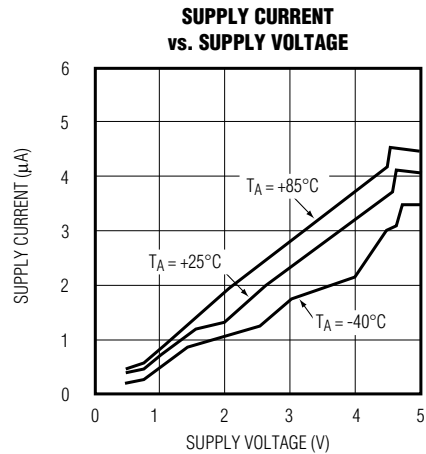
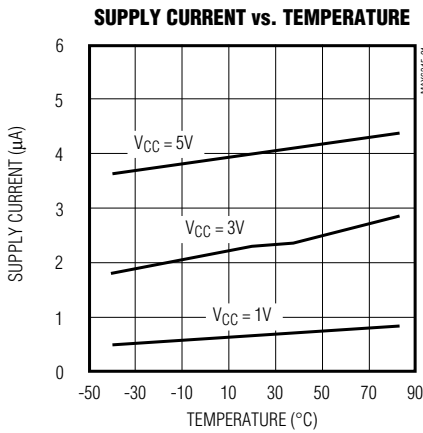
Note 1: The MAX6315 monitors V_{CC} through an internal factory-trimmed voltage divider that programs the nominal reset threshold. Factory-trimmed reset thresholds are available in 100mV increments from 2.5V to 5V (see *Ordering Information*).

Open-Drain SOT μ P Reset Circuit

Typical Operating Characteristics

($T_A = +25^\circ\text{C}$, unless otherwise noted.)

MAX6315



Pin Description

PIN	NAME	FUNCTION
1	GND	Ground
2	$\overline{\text{RESET}}$	Active-Low Open-Drain Output. Connect to an external pull-up resistor. Can be pulled up to a voltage higher than V_{CC} , but less than 6V.
3	$\overline{\text{MR}}$	Manual Reset Input. A logic low on $\overline{\text{MR}}$ asserts reset. Reset remains asserted as long as $\overline{\text{MR}}$ is low, and for the reset timeout period (t_{RP}) after the reset conditions are terminated. Connect to V_{CC} if not used.
4	V_{CC}	Supply Voltage and Reset Threshold Monitor Input

Open-Drain SOT μ P Reset Circuit

Detailed Description

Reset Output

A microprocessor's (μ P's) reset input starts the μ P in a known state. The MAX6315 asserts reset to prevent code-execution errors during power-up, power-down, or brownout conditions. $\overline{\text{RESET}}$ is guaranteed to be a logic low for $V_{CC} > 1\text{V}$ (see *Electrical Characteristics*). Once V_{CC} exceeds the reset threshold, the internal timer keeps reset asserted for the reset timeout period (t_{RP}); after this interval $\overline{\text{RESET}}$ goes high. If a brownout condition occurs (monitored voltage dips below its programmed reset threshold), $\overline{\text{RESET}}$ goes low. Any time V_{CC} dips below the reset threshold, the internal timer resets to zero and $\overline{\text{RESET}}$ goes low. The internal timer starts when V_{CC} returns above the reset threshold, and $\overline{\text{RESET}}$ remains low for the reset timeout period.

The MAX6315's $\overline{\text{RESET}}$ output structure is a simple open-drain N-channel MOSFET switch. Connect a pull-up resistor to any supply in the 0V to +6V range. Select a resistor value large enough to register a logic low when $\overline{\text{RESET}}$ is asserted (see *Electrical Characteristics*), and small enough to register a logic high while supplying all input current and leakage paths connected to the $\overline{\text{RESET}}$ line. A 10k Ω pull-up is sufficient in most applications.

Often, the pull-up connected to the MAX6315's $\overline{\text{RESET}}$ output will connect to the supply voltage monitored at the IC's V_{CC} pin. However, some systems may use the open-drain output to level-shift from the monitored supply to reset circuitry powered by some other supply (Figure 1). This is one useful feature of an open-drain output. Keep in mind that as the MAX6315's V_{CC} decreases below 1V, so does the IC's ability to sink current at $\overline{\text{RESET}}$. Finally, with any pull-up, $\overline{\text{RESET}}$ will be pulled high as V_{CC} decays toward 0V. The voltage where this occurs depends on the pull-up resistor value and the voltage to which it connects (see *Electrical Characteristics*).

Manual-Reset Input

Many μ P-based products require manual-reset capability, allowing the operator, a test technician, or external logic circuitry to initiate a reset. A logic low on $\overline{\text{MR}}$ asserts reset. Reset remains asserted while $\overline{\text{MR}}$ is low, and for the reset active timeout period after $\overline{\text{MR}}$ returns high.

$\overline{\text{MR}}$ has an internal 63k Ω pull-up resistor, so it can be left open if not used. Connect a normally open momentary switch from $\overline{\text{MR}}$ to GND to create a manual reset function; external debounce circuitry is not required.

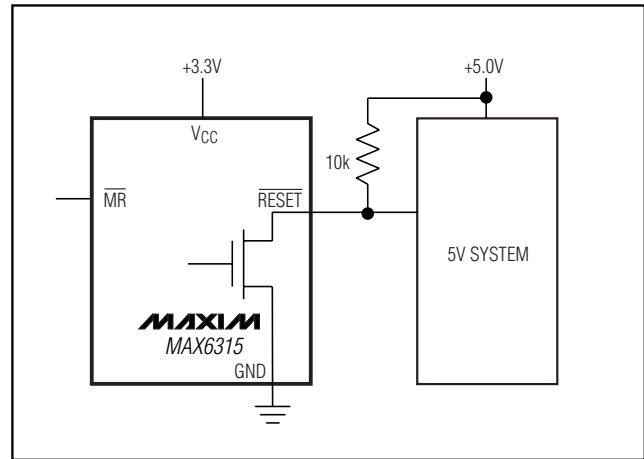


Figure 1. MAX6315 Open-Drain $\overline{\text{RESET}}$ Output Allows Use with Multiple Supplies

If $\overline{\text{MR}}$ is driven from long cables or if the device is used in a noisy environment, connecting a 0.1 μ F capacitor from $\overline{\text{MR}}$ to ground provides additional noise immunity.

Applications Information

Negative-Going V_{CC} Transients

In addition to issuing a reset to the μ P during power-up, power-down, and brownout conditions, these devices are relatively immune to short-duration negative-going transients (glitches). The *Typical Operating Characteristics* show the Maximum Transient Duration vs. Reset Threshold Overdrive, for which reset pulses are not generated. The graph was produced using negative-going pulses, starting at $V_{RST\ max}$ and ending below the programmed reset threshold by the magnitude indicated (reset threshold overdrive). The graph shows the maximum pulse width that a negative-going V_{CC} transient may typically have without causing a reset pulse to be issued. As the transient amplitude increases (i.e., goes farther below the reset threshold), the maximum allowable pulse width decreases. A 0.1 μ F bypass capacitor mounted close to V_{CC} provides additional transient immunity.

Open-Drain SOT μ P Reset Circuit

Ordering Information

MAX6315

PART [†]	NOMINAL V _{TH} (V)	MIN t _{RP} (ms)	SOT TOP MARK ^{††}
MAX6315US50D1-T	5.00	1	FX__
MAX6315US49D1-T	4.90	1	FY__
MAX6315US48D1-T	4.80	1	FZ__
MAX6315US47D1-T	4.70	1	GA__
MAX6315US46D1-T	4.63	1	GB__
MAX6315US45D1-T	4.50	1	GC__
MAX6315US44D1-T^{†††}	4.39	1	GD__
MAX6315US43D1-T	4.30	1	GE__
MAX6315US42D1-T	4.20	1	GF__
MAX6315US41D1-T	4.10	1	GG__
MAX6315US40D1-T	4.00	1	GH__
MAX6315US39D1-T	3.90	1	GI__
MAX6315US38D1-T	3.80	1	GJ__
MAX6315US37D1-T	3.70	1	GK__
MAX6315US36D1-T	3.60	1	GL__
MAX6315US35D1-T	3.50	1	GM__
MAX6315US34D1-T	3.40	1	GN__
MAX6315US33D1-T	3.30	1	GO__
MAX6315US32D1-T	3.20	1	GP__
MAX6315US31D1-T	3.08	1	GQ__
MAX6315US30D1-T	3.00	1	GR__
MAX6315US29D1-T	2.93	1	GS__
MAX6315US28D1-T	2.80	1	GT__
MAX6315US27D1-T	2.70	1	GU__
MAX6315US26D1-T^{†††}	2.63	1	GV__
MAX6315US25D1-T	2.50	1	GW__

PART [†]	NOMINAL V _{TH} (V)	MIN t _{RP} (ms)	SOT TOP MARK ^{††}
MAX6315US50D2-T	5.00	20	GX__
MAX6315US49D2-T	4.90	20	GY__
MAX6315US48D2-T	4.80	20	GZ__
MAX6315US47D2-T	4.70	20	HA__
MAX6315US46D2-T	4.63	20	HB__
MAX6315US45D2-T	4.50	20	HC__
MAX6315US44D2-T^{†††}	4.39	20	HD__
MAX6315US43D2-T	4.30	20	HE__
MAX6315US42D2-T	4.20	20	HF__
MAX6315US41D2-T	4.10	20	HG__
MAX6315US40D2-T	4.00	20	HH__
MAX6315US39D2-T	3.90	20	HI__
MAX6315US38D2-T	3.80	20	HJ__
MAX6315US37D2-T	3.70	20	HK__
MAX6315US36D2-T	3.60	20	HL__
MAX6315US35D2-T	3.50	20	HM__
MAX6315US34D2-T	3.40	20	HN__
MAX6315US33D2-T	3.30	20	HO__
MAX6315US32D2-T	4.20	20	HP__
MAX6315US31D2-T	3.08	20	HQ__
MAX6315US30D2-T	3.00	20	HR__
MAX6315US29D2-T	2.93	20	HS__
MAX6315US28D2-T	2.80	20	HT__
MAX6315US27D2-T	2.70	20	HU__
MAX6315US26D2-T^{†††}	2.63	20	HV__
MAX6315US25D2-T	2.50	20	HW__

[†] The MAX6315 is available in a SOT143 package, -40°C to +125°C temperature range.

^{††} The first two letters in the package top mark identify the part, while the remaining two letters are the lot tracking code.

^{†††} Sample stocks generally held on the bolded products; also, the bolded products have 2,500 piece minimum-order quantities. Non-bolded products have 10,000 piece minimum-order quantities. Contact factory for details.

Note: All devices available in tape-and-reel only. Contact factory for availability.

Open-Drain SOT μ P Reset Circuit

Ordering Information (continued)

PART [†]	NOMINAL V _{TH} (V)	MIN t _{RP} (ms)	SOT TOP MARK ^{††}
MAX6315US50D3-T	5.00	140	HX_ _
MAX6315US49D3-T	4.90	140	HY_ _
MAX6315US48D3-T	4.80	140	HZ_ _
MAX6315US47D3-T	4.70	140	IA_ _
MAX6315US46D3-T^{†††}	4.63	140	IB_ _
MAX6315US45D3-T	4.50	140	IC_ _
MAX6315US44D3-T^{†††}	4.39	140	ID_ _
MAX6315US43D3-T	4.30	140	IE_ _
MAX6315US42D3-T	4.20	140	IF_ _
MAX6315US41D3-T	4.10	140	IG_ _
MAX6315US40D3-T	4.00	140	IH_ _
MAX6315US39D3-T	3.90	140	II_ _
MAX6315US38D3-T	3.80	140	IJ_ _
MAX6315US37D3-T	3.70	140	IK_ _
MAX6315US36D3-T	3.60	140	IL_ _
MAX6315US35D3-T	3.50	140	IM_ _
MAX6315US34D3-T	3.40	140	IN_ _
MAX6315US33D3-T	3.30	140	IO_ _
MAX6315US32D3-T	3.20	140	IP_ _
MAX6315US31D3-T^{†††}	3.08	140	IQ_ _
MAX6315US30D3-T	3.00	140	IR_ _
MAX6315US29D3-T^{†††}	2.93	140	IS_ _
MAX6315US28D3-T	2.80	140	IT_ _
MAX6315US27D3-T	2.70	140	IU_ _
MAX6315US26D3-T^{†††}	2.63	140	IV_ _
MAX6315US25D3-T	2.50	140	IW_ _

PART [†]	NOMINAL V _{TH} (V)	MIN t _{RP} (ms)	SOT TOP MARK ^{††}
MAX6315US50D4-T	5.00	1120	IX_ _
MAX6315US49D4-T	4.90	1120	IY_ _
MAX6315US48D4-T	4.80	1120	IZ_ _
MAX6315US47D4-T	4.70	1120	JA_ _
MAX6315US46D4-T	4.63	1120	JB_ _
MAX6315US45D4-T	4.50	1120	JC_ _
MAX6315US44D4-T^{†††}	4.39	1120	JD_ _
MAX6315US43D4-T	4.30	1120	JE_ _
MAX6315US42D4-T	4.20	1120	JF_ _
MAX6315US41D4-T	4.10	1120	JG_ _
MAX6315US40D4-T	4.00	1120	JH_ _
MAX6315US39D4-T	3.90	1120	JI_ _
MAX6315US38D4-T	3.80	1120	JJ_ _
MAX6315US37D4-T	3.70	1120	JK_ _
MAX6315US36D4-T	3.60	1120	JL_ _
MAX6315US35D4-T	3.50	1120	JM_ _
MAX6315US34D4-T	3.40	1120	JN_ _
MAX6315US33D4-T	3.30	1120	JO_ _
MAX6315US32D4-T	3.20	1120	JP_ _
MAX6315US31D4-T	3.08	1120	JQ_ _
MAX6315US30D4-T	3.00	1120	JR_ _
MAX6315US29D4-T	2.93	1120	JS_ _
MAX6315US28D4-T	2.80	1120	JT_ _
MAX6315US27D4-T	2.70	1120	JU_ _
MAX6315US26D4-T^{†††}	2.63	1120	JV_ _
MAX6315US25D4-T	2.50	1120	JW_ _

[†]The MAX6315 is available in a SOT143 package, -40°C to +125°C temperature range.

^{††}The first two letters in the package top mark identify the part, while the remaining two letters are the lot tracking code.

^{†††}Sample stocks generally held on the bolded products; also, the bolded products have 2,500 piece minimum-order quantities. Non-bolded products have 10,000 piece minimum-order quantities. Contact factory for details.

Note: All devices available in tape-and-reel only. Contact factory for availability.

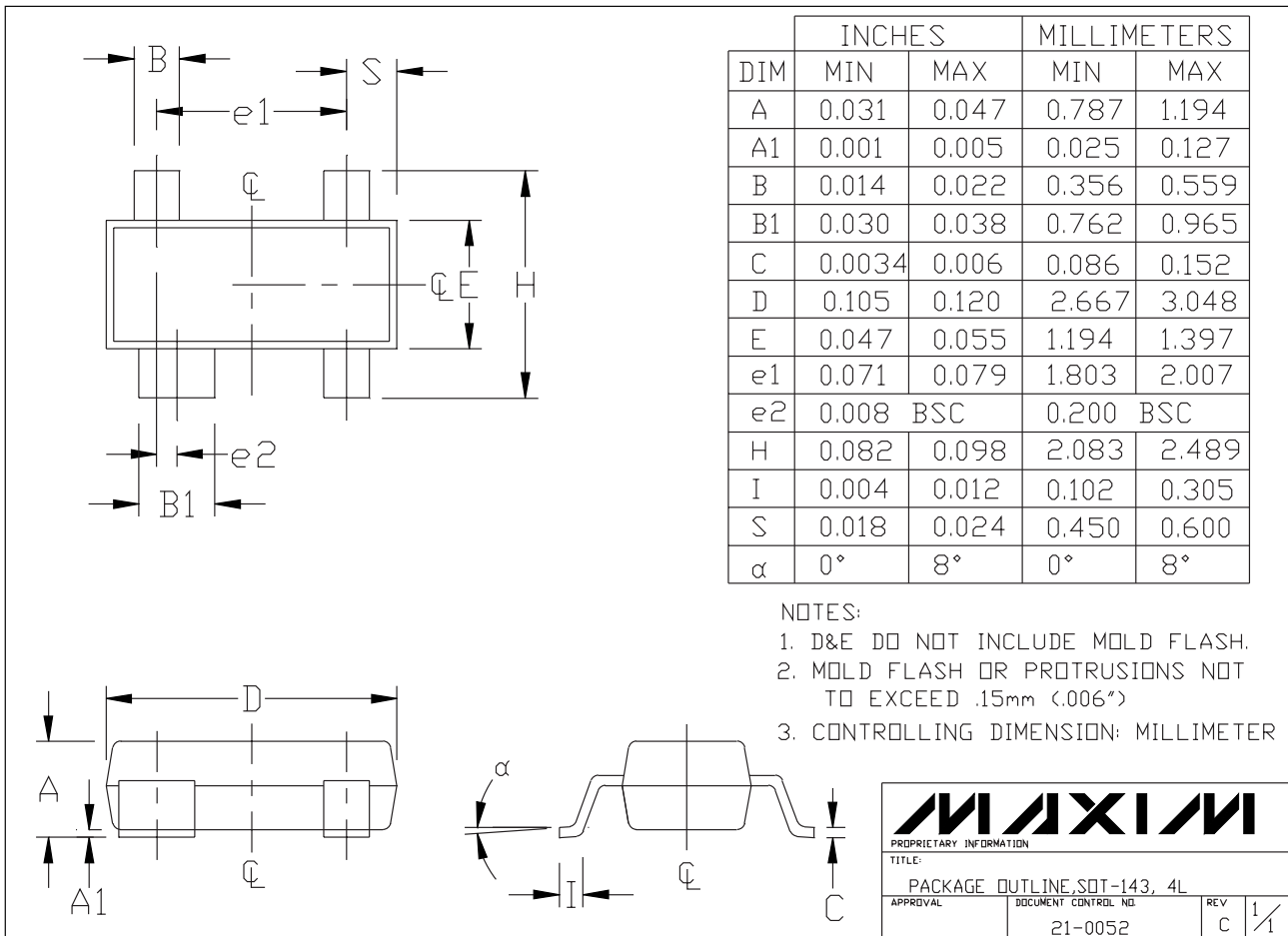
Open-Drain SOT μ P Reset Circuit

Chip Information

TRANSISTOR COUNT: 519

Package Information

MAX6315



Open-Drain SOT μ P Reset Circuit

NOTES

Maxim cannot assume responsibility for use of any circuitry other than circuitry entirely embodied in a Maxim product. No circuit patent licenses are implied. Maxim reserves the right to change the circuitry and specifications without notice at any time.

8 _____ **Maxim Integrated Products, 120 San Gabriel Drive, Sunnyvale, CA 94086 408-737-7600**